

DATASHEET
Model: STXSB 280SB

stax
pedestrian entrance control

tripod turnstiles



URL: www.flapbarriersystem.com
Email: sales@staraxiomsecurity.com
Tel: 9873936619, +91 011 22439331
StarAxiom Electronics Pvt Ltd
Delhi



FEATURES:

- The body is made of brushed stainless steel which is robust, rigid, anti-rust and durable.
- It can be integrated with any kind of access controller system (e.g.: RFID device, Push button, Fingerprint and Biometric device).
- In case of emergency, the turnstile horizontal arm will drop down to allow free passage when power off, which is complying with Fire Safety requirements.
- Self-Test function, when power On, System restoration automatic.
- Automatic reset function: when tripod turnstile receives an open signal, but passenger do not pass through the halfway within a specific time (default 5s), turnstile arm will lock automatically
- It is suitable for areas with high traffic.
- It has IP 43 rating.
- Tripod turnstile is CE approved.

Specifications:

Frame Work - AISI 304 Stainless Steel

Bar Length - 510 mm **Passage width** - \leq 550 mm

Dimensions - 420 x 330 x 980 mm

Pass Speed - 30 person / minute

Open angle - 120 degree

Passing Direction - Single Direction/Bi-Directional

Lane LED Indicator - Yes

Working Environment - Indoor/Outdoor (shelter) IP 43

Emergency - Automatic Arm drop down on Power OFF

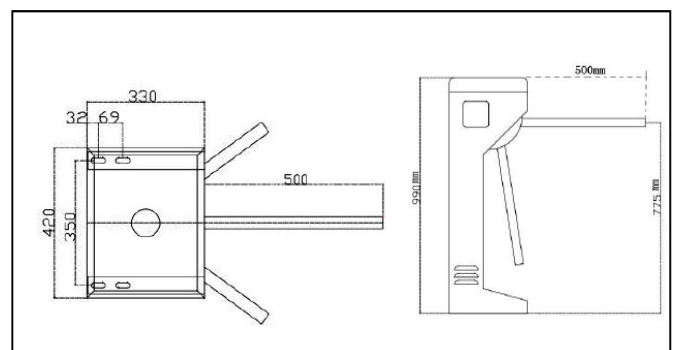
Operation Humidity - 15 C - 60 C

Power Supply - AC 220V, 50/60Hz

Approval:



Dimensions:



Top View

Side View

Note: Images are for Reference only and Specifications may be changed without prior notice due to continuous enhancements of the product.